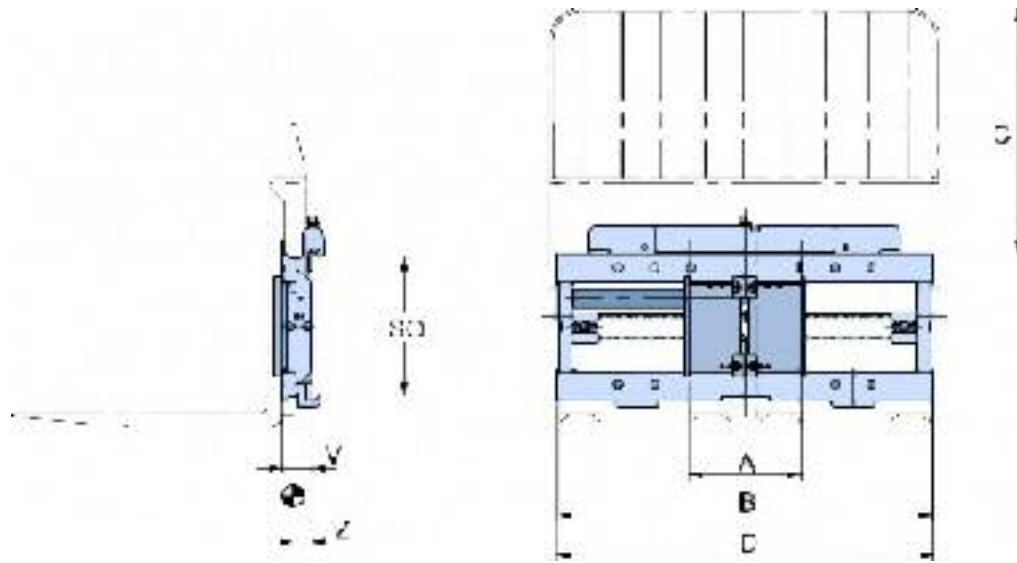


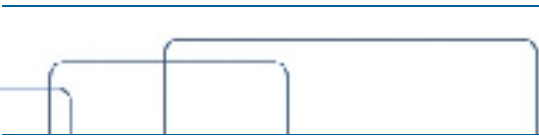
T 163 SN Fork Positioner



Fork Positioner T 163 SN

with independent sideshift - for forks acc. to ISO 2330 - supplied without forks - 2 hydraulic functions

Model	Cap. kg/mm	S mm	Opening range			Fork wide mm	ISO-Cl.	V mm	CofG Z mm	Weight kg	Price €
			A mm	D mm							
2 T 163 SN	2500/500	± 100	350- 820	830	70-120	2	82	45	95	on req.	
			350- 820	830	125-140		82	45	95	on req.	
			310-1030	1040	70-120	82	50	105	on req.		
			350-1030	1040	125-140	82	50	105	on req.		
			430-1150	1160	70-120	82	50	115	on req.		
			390-1350	1360	70-120	82	55	135	on req.		
			390-1490	1500	70-120	92	55	140	on req.		
4 T 163 SN	4000/500	± 100	390-1690	1710	70-120	3	102	55	160	on req.	
			500-2120	2130	70-120		102	55	190	on req.	
			350-1030	1040	130-160		82	55	150	on req.	
			430-1150	1160	130-160		82	55	160	on req.	
			390-1350	1360	130-160		82	55	180	on req.	
390-1490	1510	130-160	92	55	195	on req.					
390-1690	1710	130-160	92	55	210	on req.					



Model	Cap.		Opening range		Fork wide	ISO-Cl.		CofG	Weight	Price
	kg/mm	S mm	A mm	D mm	mm		V mm	Z mm	kg	€
4,5 T 163 SN	5000/500	± 100	430-1150	1160	130-160	3	92	60	190	on req.
			390-1350	1360	130-160		92	60	200	on req.
			390-1790	1810	130-160		112	70	205	on req.
			450-1900	1910	170-180		112	70	230	on req.
6 T 163 SN	8000/600	± 160	470-1390	1400	150-200	4	102	65	370	on req.
			500-1680	1690	150-200		102	65	390	on req.
			470-1870	1880	150-200		112	65	405	on req.
			530-1980	1990	150-200		112	75	440	on req.
8 T 163 SN	8000/600	± 160	500-2120	2130	150-200	4	132	75	520	on req.
			530-2380	2400	150-200			80	625	on req.

The Kaup series T 163 is for the transport of palletized goods only, i.e. it does not allow clamping between the forks.

The forks of the forklift truck can be used up to a length of 1600 mm.

Also available without Sideshift T 163 N

Price reduction : ISO Class 2/3 → 120,-
ISO Class 4 → 230,-

The brown marked lines 'display advantages' series. Such characterized series are manufactured non order related and are subject to shorter delivery times.